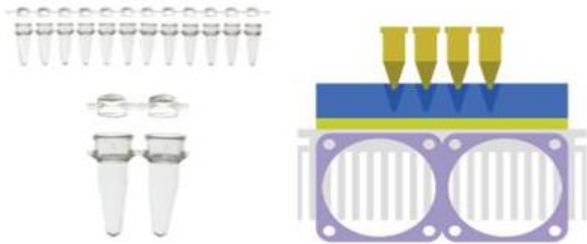
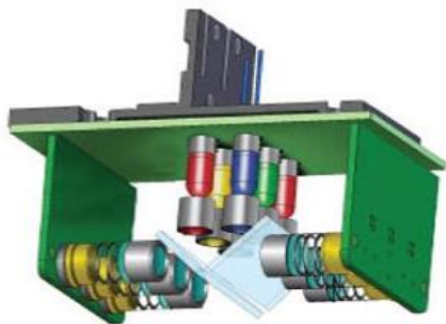


Traditional Technology



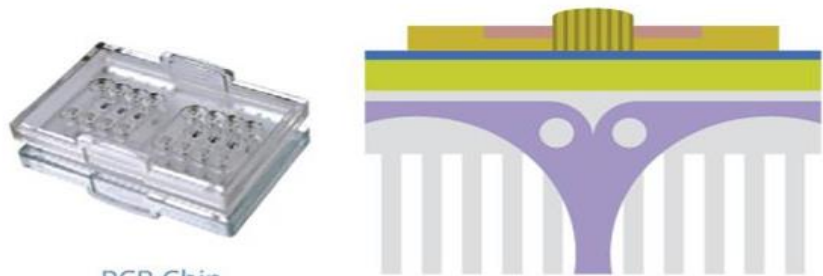
PCR Tube

Installation of tube in thick heat block
Slow Heat Transfer ($2\sim 3^{\circ}\text{C}/\text{sec}$)



Signal Measurement Using Optics
Cost Increase Factor

Technology of Genesystem



PCR Chip

Plate-shaped heat block (Contact with flat area)
Fast Heat Transfer ($8\sim 11^{\circ}\text{C}/\text{sec}$)



Light sources are located on the sides and signal is measured using light scattering effect. Uses CMOS module (Not Optics).
Competitive Instrument Cost.